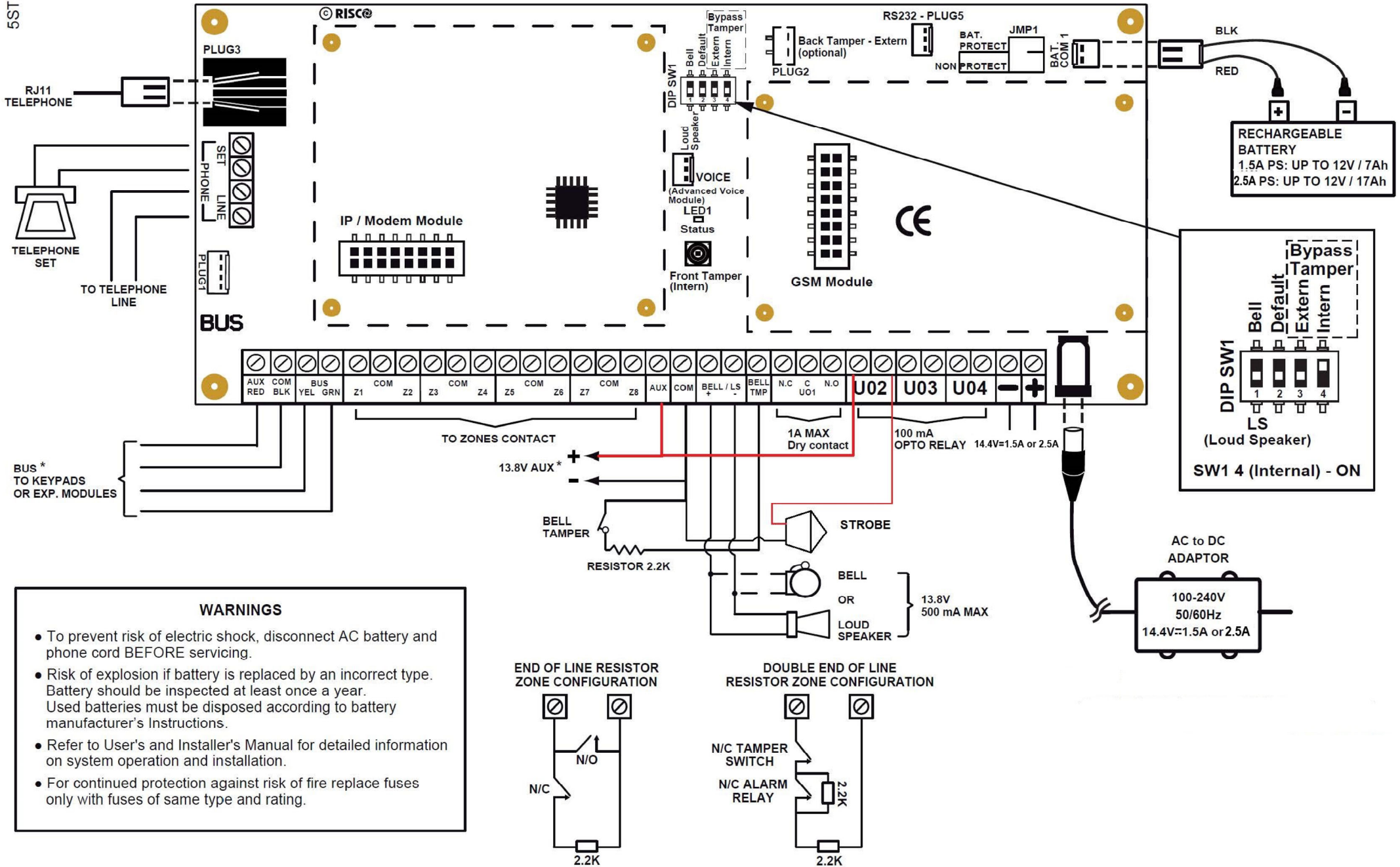


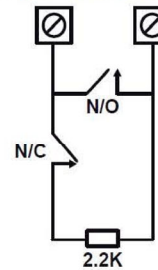
LightSYS wiring diagram



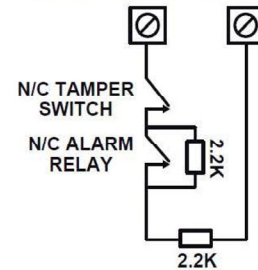
WARNINGS

- To prevent risk of electric shock, disconnect AC battery and phone cord BEFORE servicing.
- Risk of explosion if battery is replaced by an incorrect type. Battery should be inspected at least once a year. Used batteries must be disposed according to battery manufacturer's Instructions.
- Refer to User's and Installer's Manual for detailed information on system operation and installation.
- For continued protection against risk of fire replace fuses only with fuses of same type and rating.

END OF LINE RESISTOR ZONE CONFIGURATION



DOUBLE END OF LINE RESISTOR ZONE CONFIGURATION



* 1.5A PS: Total current 800mA. Maximum AUX = 500mA; Maximum BUS (AUX / RED) = 800mA
 * 2.5A PS: Total current 1500mA. Maximum AUX = 500mA; Maximum BUS (AUX / RED) = 1000mA